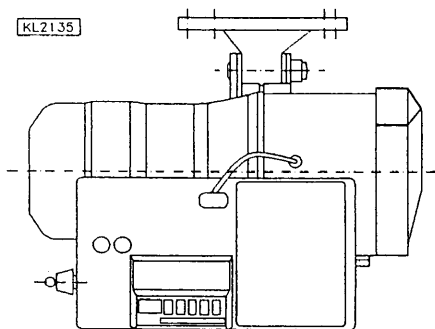


KL21.35


• FIELD OF APPLICATION
 Industrial sewing machines

Brand	Series
BROTHER	DB 2-B705-100 DB 2-B715-100 DB 2-B757-100

With connections and/or outputs for:

Thread trimmer class 715 or	(max. 7.0A)
Thread tension release classes 705 and 757	
Thread trimmer classes 705 or 757	(max. 3.0A)
Thread wiper	(max. 3.0A)

The total power of the outputs is to be limited to 96VA!

Reflection light barrier module for the sensing of the edge of the fabric

Power supply 24V d.c., max. 0.5A for further additional devices

• CHARACTERISTICS

The control has a digital touch panel for programming all parameters (functions, times, speeds, etc.). Moreover, a reflection light barrier module LSM001 can be connected to the control (order nos. see Special Accessories).

• The following functions are available and can be adapted to the machine:

- **SOFTSTART:** On/off; number of stitches and speed at the start of the seam can be set (2 stitches are factory set).
- **BASIC POSITION:** Needle position at stop in the seam up/down.
- **BRAKING POWER AT MACHINE STANDSTILL:** Braking effect can be set.
- **THREAD TRIMMER/THREAD WIPER:** Can be switched on and off on the control.
- **SPEED RANGE:** 70 RPM to 9900 RPM (depending on machine).
- **SPEED LIMITATION:** Can be varied during machine run and at intermediate stop.

• An input is available for the following touch and/or switching functions:

- | | |
|---------------------------------|--|
| - NEEDLE POSITION UP/DOWN | - BLOCKING OF MACHINE RUN: positioned stop; break contact [N.C.]/make contact [N.O.] selectable |
| - NEEDLE POSITION UP | - BLOCKING OF MACHINE RUN: unpositioned stop; break contact [N.C.]/make contact [N.O.] selectable |
| - SINGLE STITCH: basting stitch | - AUTOMATIC SPEED |
| - FULL STITCH | - LIMITED SPEED WHEN PUSHING THE PEDAL |
| - NEEDLE TO POSITION 2 | |

• When the light barrier is not connected, a further input can be used for the above touch and/or switching functions.

By means of the internal actuator 12 speed stages are switched. Stage 1 (positioning speed) and stage 12 (maximum speed) can be set. The maximum speed of the set value can be reduced by stages. The basic setting of the maximum speed is not modified. Stages 2...11 (intermediate speeds) adapt automatically to the respective maximum speed.

• UNIT CONSISTING OF
1 induction motor with electromagnetic clutch type V....*1)

1 control type 1F80A
 with power pack type N30

1 position transmitter type P5-2

1 set of standard accessories B10 (consisting of):

- 1 belt guard, complete
(for pulleys up to 132 mm ϕ)
- 1 set of hardware
- 1 motor mounting foot
- 1 bracket 1 and 2, short
- 1 documentation

1 set of accessories Z1 (consisting of):

- 1 pitman rod, complete
- 1 10-pin plug (Mes100)

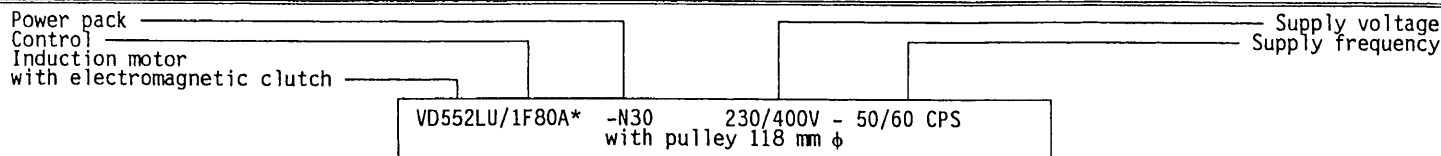
1 pulley DIN42692-L (size according to request)

• SPECIAL ACCESSORIES - SEE REVERSE:

*1) Available motors see last page

• SPECIAL ACCESSORIES, AGAINST EXTRA CHARGE:	Part No.
Belt guard (for pulleys up to 180mmφ) Reflection light barrier module Variolux LSM001 Extension cable for ext. actuator, approx. 750 mm long, complete with plug and socket connector Extension cable for ext. actuator, approx. 1500 mm long, complete with plug and socket connector 5-pin plug with slide index for the connection of another external actuator External actuator type EB301 with approx. 250 mm connecting cable and 5-pin plug with slide index External actuator type EB302 (softer spring) with approx. 250 mm connecting cable and 5-pin plug with slide index Foot control type FB302 for standing operation with approx. 1400 mm connecting cable and plug Potential equalization cord 700 mm long, LIY 2.5 mm ² , grey, with forked cable brackets on both sides Extension cable for position transmitter P5-..., approx. 1100 mm long, complete with plug and socket connector Extension cable for position transmitter P5-..., approx. 315 mm long, complete with plug and socket connector Knee switch type KN3 (pushbutton) with cord of approx. 950 mm length without plug, for switching the functions overleaf Swing light transformer 10-pin plug (Mes 100)	7960012 6100028 1111845 1111787 0501278 41.0011 41.0012 4160018 1100313 1111584 1111229 58.0013 please indicate line voltage and sewing light voltage (6.3V or 12V) 0500357

Example For Ordering VARIOSTOP Positioning Drives (Series 80 /81)



*In addition to the type designation the nameplate on the control shows its state of development (e.g. 1F80AY1). However, the state of development only needs to be indicated in the case of technical inquiries or repairs.

Induction Motors With Electromagnetic Clutch

Type	Power Rating (W)	Speed (RPM)	Frequency (CPS)	Type	Power Rating (W)	Speed (RPM)	Frequency (CPS)	Type	Power Rating (W)	Speed (RPM)	Frequency (CPS)
VD374 VD374U VD374LU	370	1400/ 1700	50/ 60	VD742 VD742U VD742LU	740	2800/ 3400	50/ 60	VE374 VE374LU	370	1400 or 1700	50 or 60
VD552 VD552LU	550	2800/ 3400	50/ 60					VE502 VE502LU	500	2900 or 3500	50 or 60
VD554* VD554U* VD554LU*	550	1400/ 1700	50/ 60	VD1102* VD1102U* VD1102LU*	1100	2800/ 3400	50/ 60	VE602 VE602LU	600	2900 or 3500	50 or 60

*in series with reinforced clutch

Type Code For Induction Motors With Electromagnetic Clutch

Symbol for VARIOSTOP

Reference mark for kind of current
 D = three-phase current
 E = single-phase alternating current

Reference no. for power rating
 37 = 370W - available for three-phase current (4 poles) and single-phase alternating current (4 poles)
 50 = 500W - available for single-phase alternating current (2 poles)
 55 = 550W - available for three-phase current (2 poles or 4 poles)
 60 = 600W - available for single-phase alternating current (2 poles)
 74 = 740W - available for three-phase current (2 poles)
 110 = 1100W - available for three-phase current (2 poles)
 Non-standard motors above 1100W on request.

Reference no. for number of motor poles
 2 = 2 poles (2800 resp. 2900 RPM with 50 CPS, 3400 resp. 3500 RPM with 60 CPS)
 4 = 4 poles (1400 RPM with 50 CPS, 1700 RPM with 60 CPS)

Reference mark for sewing light connection
 without reference mark = no sewing light connection
 L = tapped motor winding: 6.3V or 12V, 20W (restricted use: observe regulations!)

Country reference mark(s)
 without reference mark = standard version in compliance with VDE
 U = CSA approved version (star-delta connected three-phase current motors without sewing light connection, star connected three phase current motors with sewing light connection for supply voltages up to 230V, all single-phase alternating current motors)

V D 5 5 2 L U

(DOK210995EN)