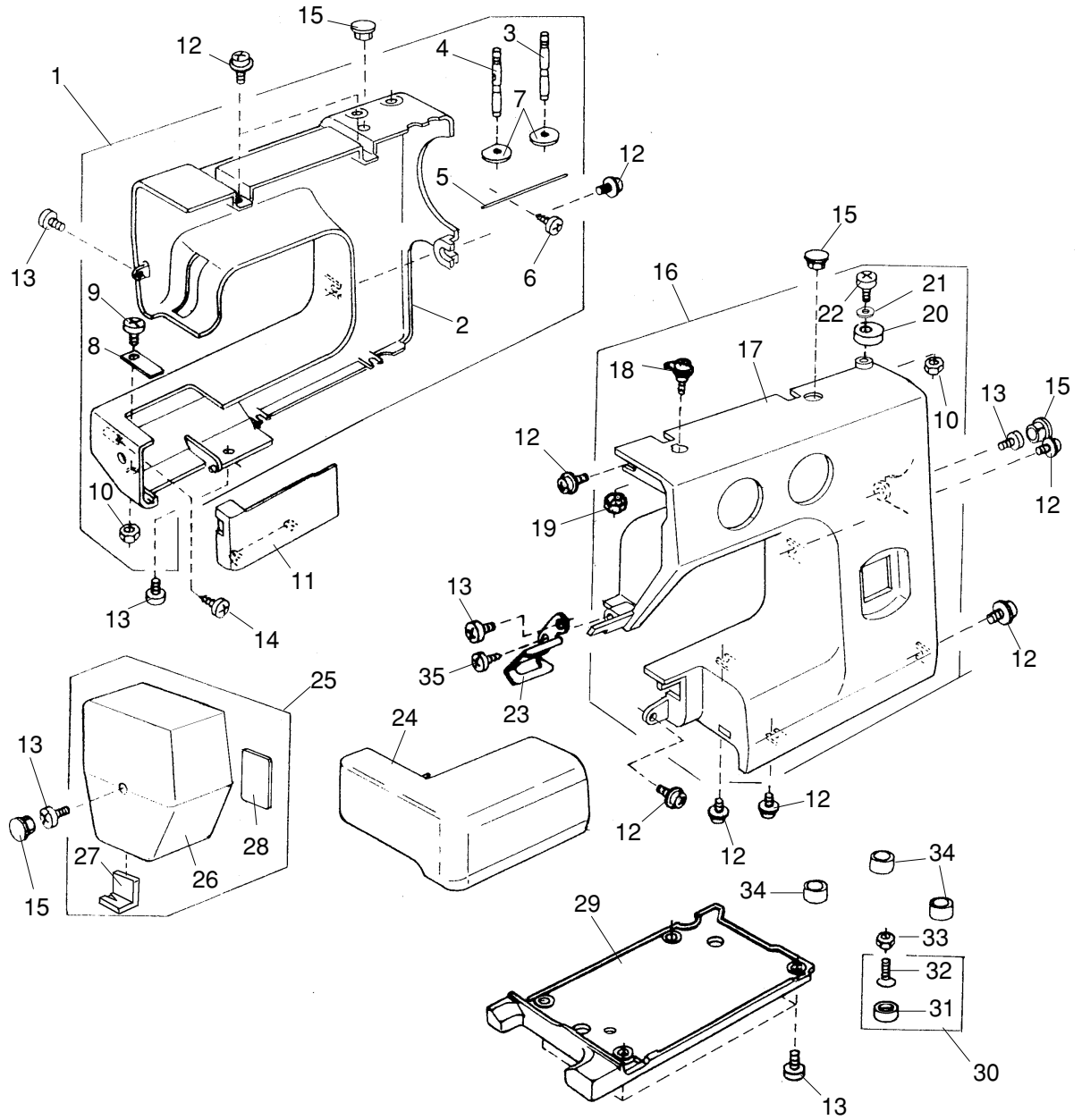


PARTS LIST

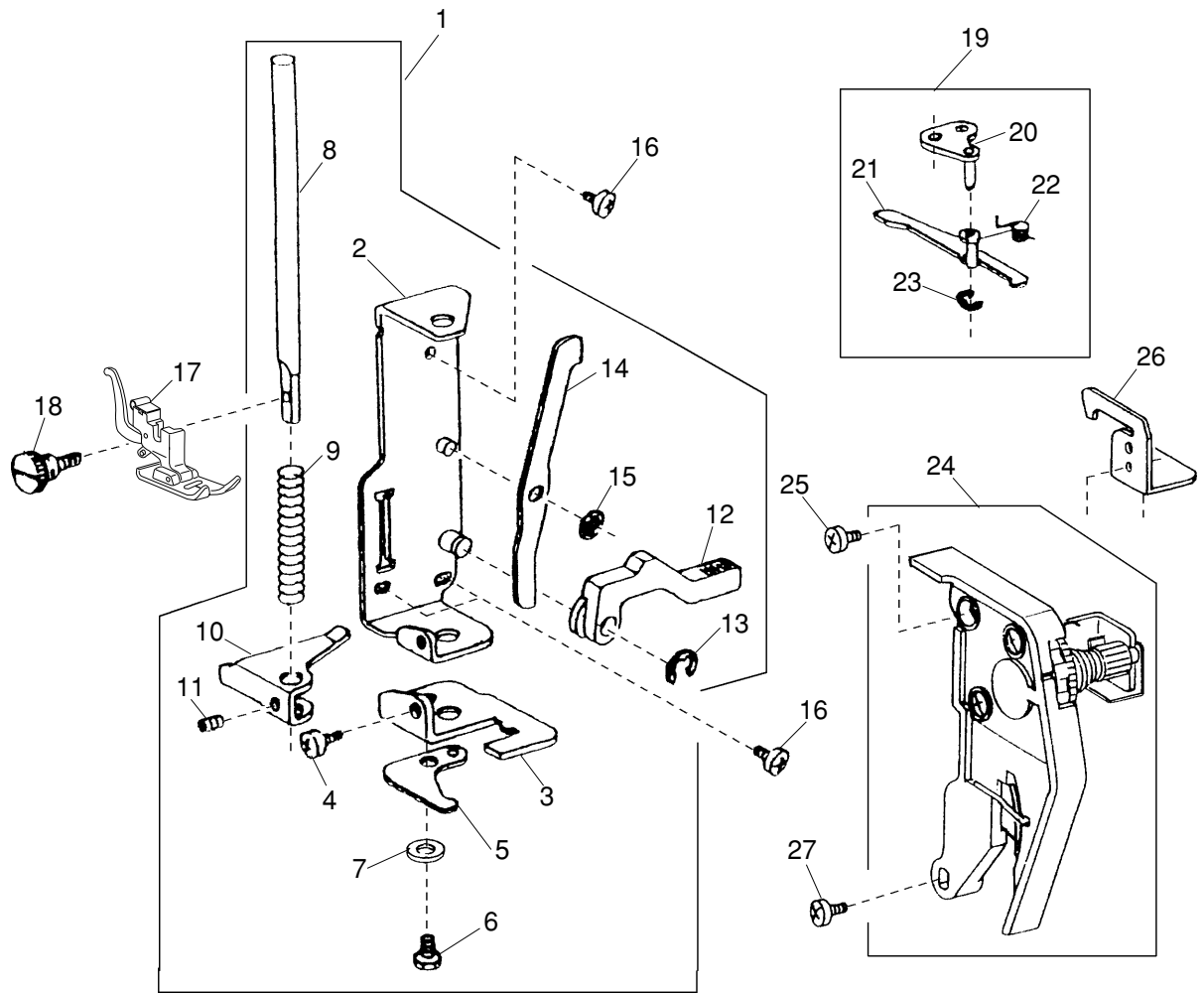
PARTS LIST



PARTS LIST

KEY NO.	PARTS NO.	DESCRIPTION
1	743601001	REAR COVER (UNIT)
2	743003007	REAR COVER
3	652205006	SPOOL PIN
4	652302004	SPOOL PIN
5	736007009	SPOOL PIN SPRING
6	000076317	TAPPING SCREW 3X10
7	735013005	SPOOL PIN SPRING BASE
8	730006000	SPRING
9	000101404	SETSCREW 4X6
10	000061205	NUT 4-3-7
11	739004005	BED COVER PLATE
12	000115205	TP SCREW 4X6
13	000081005	SETSCREW 4X8
14	000121905	TAPPING SCREW 4X12B
15	653006101	CAP
16	743605751	FRONT COVER (UNIT)
17	743100315	FRONT COVER
18	730501011	THREAD GUIDE PLATE (UNIT)
19	000160102	ADJUSTABLE LOCK NUT 4
20	735016307	BOBBIN WINDER STOPPER
21	000071013	WASHER
22	000103107	SETSCREW 4X14
23	740022003	THREAD GUARD PLATE
24	743004008	EXTENSION TABLE
25	743602002	FACE PLATE (UNIT)
26	743005009	FACE PLATE
27	840602006	THREAD CUTTER (UNIT)
28	724025006	FACE PLATE STICKER
29	739005006	BASE PLATE
30	735616200	RUBBER BASE (UNIT)
31	735002001	RUBBER BASE
32	000097901	FLAT SCREW
33	000061319	NUT 5-1-8
34	739064003	BED RUBBER BASE
35	000107307	TAPPING SCREW 3X8B

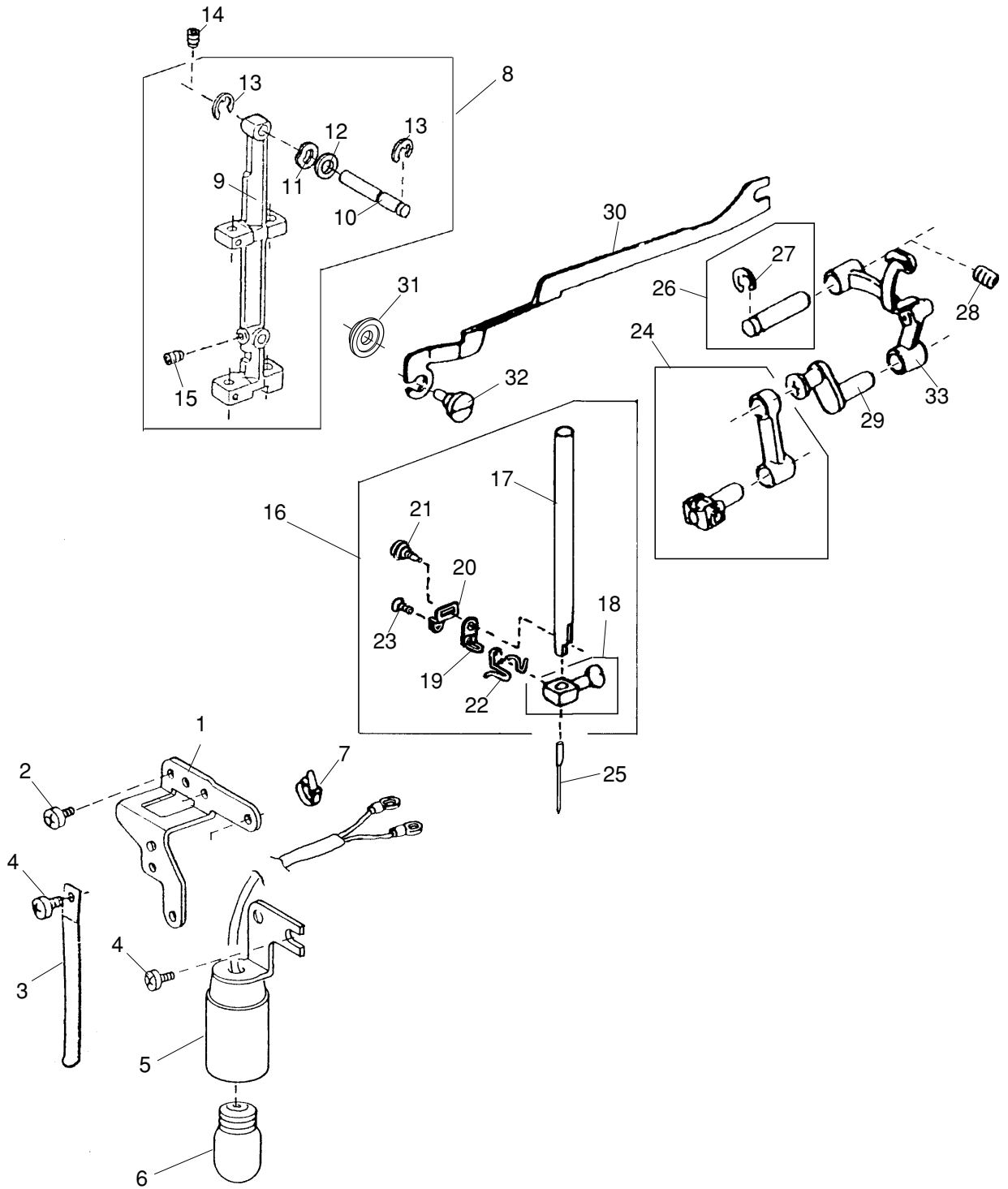
PARTS LIST



PARTS LIST

KEY NO.	PARTS NO.	DESCRIPTION
1	305604004	PRESSER BAR BASE PLATE (UNIT)
2	735221008	PRESSER BAR BASE PLATE
3	735222009	NEEDLE DROP ADJUSTING PLATE
4	000101404	SETSCREW 4X6
5	735025000	NEEDLE BAR SUPPORTER STOPPER
6	000138307	BOLT 4X8
7	000070506	WASHER
8	735026001	PRESSER BAR
9	735027002	PRESSER BAR SPRING
10	735028003	PRESSER BAR BRACKET
11	000111500	HEXAGONAL SOCKET SCREW 4X8
12	735029004	PRESSER FOOT LIFTER
13	000001609	SNAP RING E-5
14	735030008	TENSION RELEASE LEVER
15	000013903	SNAP RING CS-5
16	000081005	SETSCREW 4X8
17	301612003	PRESSER FOOT (UNIT)
18	647112009	THUMB SCREW
19	739605002	TENSION RELEASE ARM (UNIT)
20	739017001	TENSION RELEASE ARM BASE
21	739018002	TENSION RELEASE ARM
22	739019003	TENSION RELEASE SPRING
23	000002105	SNAP RING E-3
24	743501000	TENSION ASSEMBLY(UNIT)
25	000103808	SETSCREW 3X5
26	739016000	TOP COVER THREAD GUIDE
27	000101703	SETSCREW 4X12

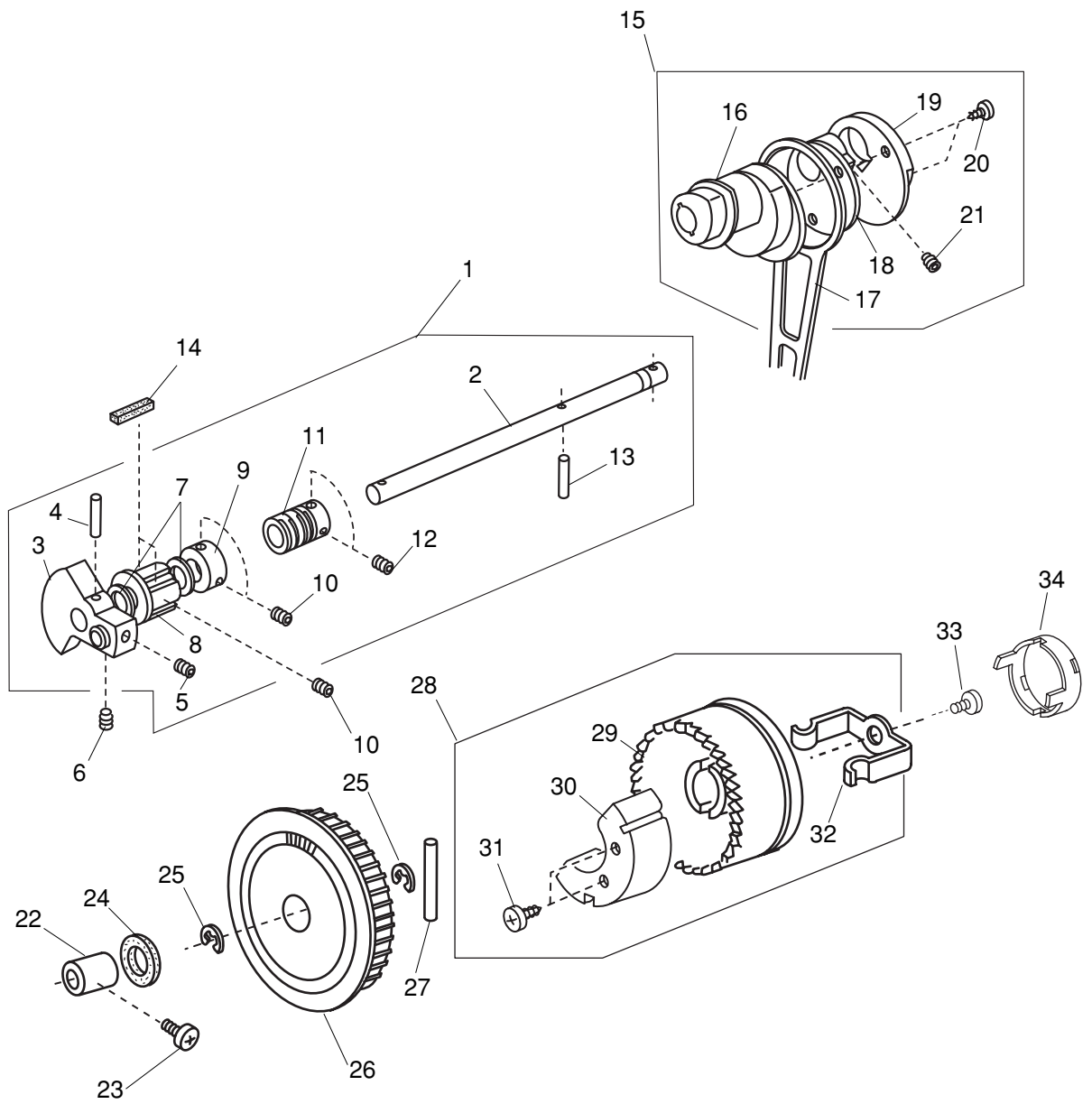
PARTS LIST



PARTS LIST

KEY NO.	PARTS NO.	DESCRIPTION
1	740007013	FACE PLATE SET PLATE
2	000081005	SETSCREW 4X8
3	730024004	NEEDLE BAR SUPPORTER SPRING
4	000101404	SETSCREW 4X6
5	737512005	LAMP SOCKET (UNIT)
6	000009102	LAMP 240V 15W
7	000053709	CORD TIE BAND
8	301610001	NEEDLE BAR SUPPORTER (UNIT)
9	301032003	NEEDLE BAR SUPPORTER
10	730022002	NEEDLE BAR SUPPORTER PIN
11	673022002	WAVE WASHER
12	000070609	PLAIN WASHER
13	000002507	SNAP RING E-4
14	000111304	HEXAGONAL SOCKET SCREW 5X5
15	000111902	HEXAGONAL SOCKET SCREW 3X4
16	730503116	NEEDLE BAR (UNIT)
17	553085019	NEEDLE BAR
18	801506008	NEEDLE CLAMP (UNIT)
19	730025005	NEEDLE GUIDE PLATE
20	732105006	NEEDLE CLAMP PLATE
21	802108009	HINGE SCREW
22	608043012	NEEDLE BAR THREAD GUIDE
23	670047004	FLAT HEAD SCREW
24	680504005	NEEDLE BAR CONNECTING STUD (UNIT)
25	102408089	#14 NEEDLE
26	731511006	THREAD TAKE-UP LEVER PIN (UNIT)
27	000002806	SNAP RING E-6
28	000111304	HEXAGONAL SOCKET SCREW 5X5
29	735504008	NEEDLE BAR CRANK PIN (UNIT)
30	735119002	ZIGZAG ROD
31	748021006	ZIGZAG ROD PLAIN WASHER
32	678084007	ECCENTRIC PIN
33	625506109	THREAD TAKE-UP LEVER (UNIT)

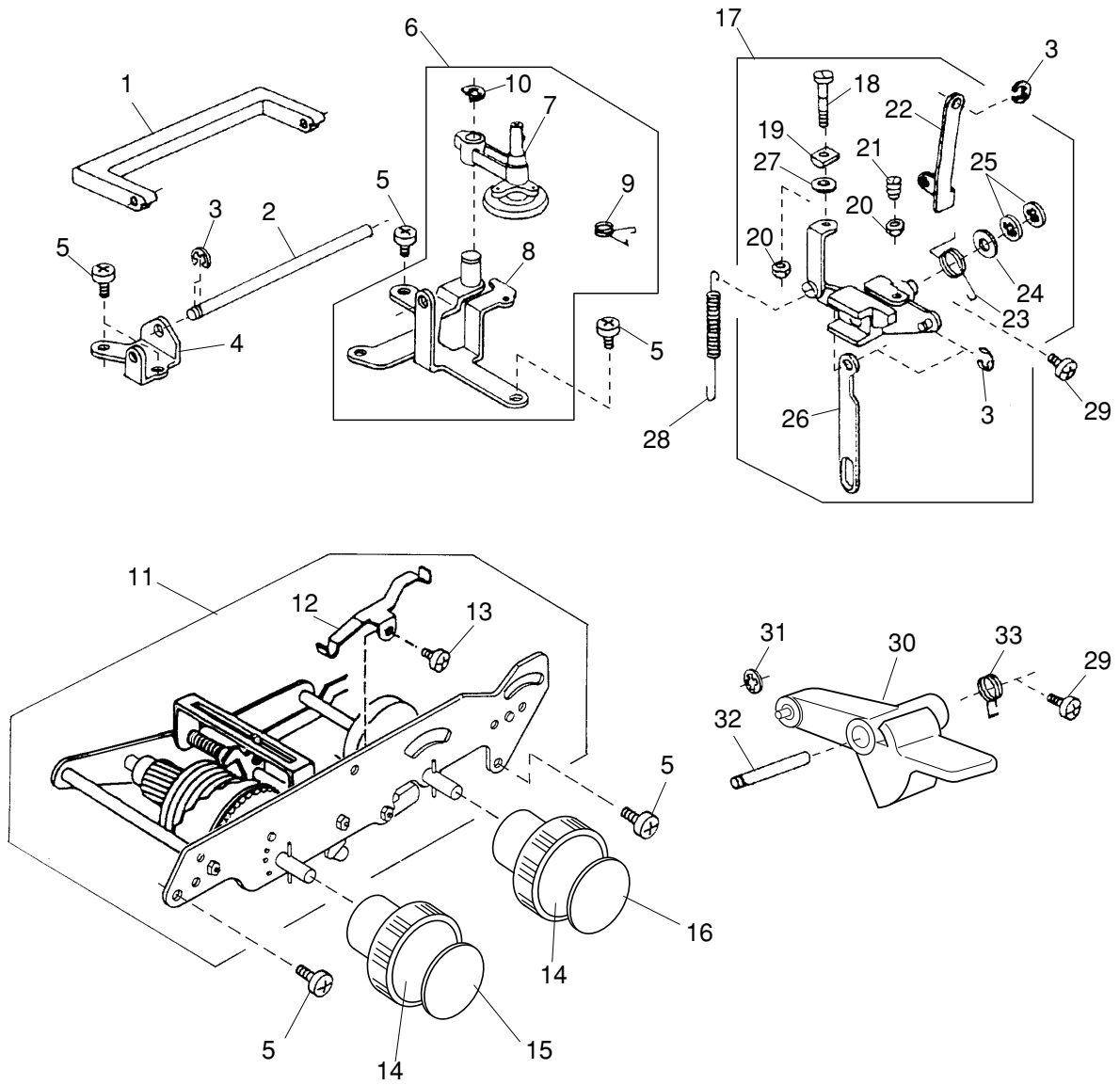
PARTS LIST



PARTS LIST

KEY NO.	PARTS NO.	DESCRIPTION
1	304607107	UPPER SHAFT (UNIT)
2	304041004	UPPER SHAFT
3	743008002	TAKE-UP LEVER CRANK
4	000021708	KNOCK PIN
5	102073003	SETSCREW
6	761052007	SETSCREW
7	000036717	THRUST WASHER
8	732025001	UPPER SHAFT FRONT BUSHING
9	639095000	RING
10	000111304	HEXAGONAL SOCKET SCREW 5X5
11	751146008	WORM
12	553245008	HEXAGONAL SOCKET SCREW 4X4
13	000022802	SPRING PIN
14	731312005	FELT
15	304609006	CRANK ROD (UNIT)
16	304042005	FEED CAM
17	743011008	CRANK ROD
18	304044007	CRANK CAM
19	304043006	CRANK CAM FRANGE
20	000161309	TAPPING SCREW 3X12
21	000110107	HEXAGONAL SOCKET SCREW 5X5
22	732003003	UPPER SHAFT REAR BUSHING
23	000172602	SETSCREW 5X8
24	743029009	FELT
25	000030205	SNAP RING E-8
26	743019006	BELT WHEEL
27	000023803	SPRING PIN
28	743630009	HANDWHEEL (UNIT)
29	639097024	HANDWHEEL
30	743030003	BALANCE WEIGHT
31	000121400	TAPPING SCREW 3X14B
32	639113016	CLUTCH SPRING
33	000081005	SETSCREW 4X8
34	650070509	CLUTCH CAP

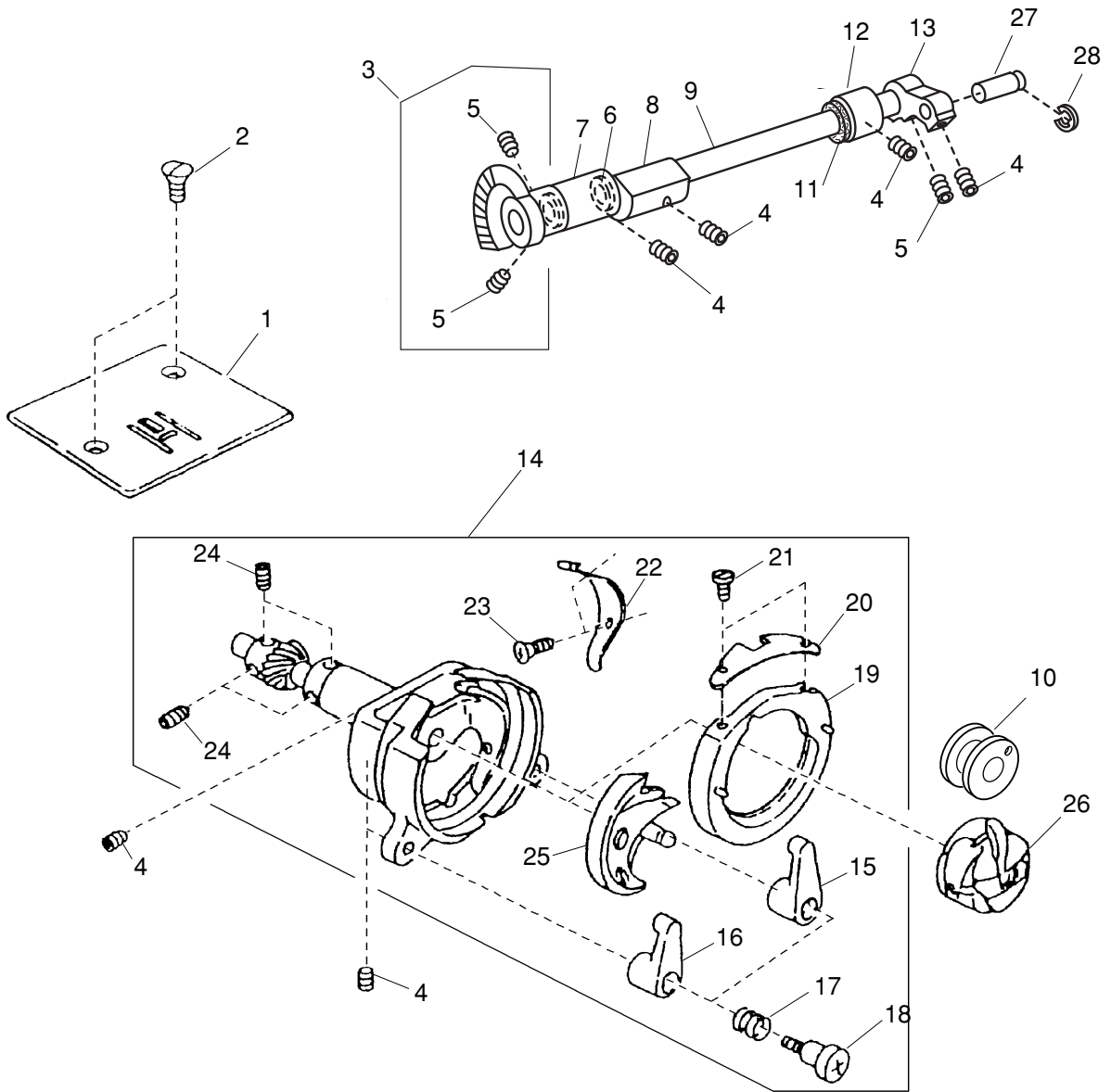
PARTS LIST



PARTS LIST

KEY NO.	PARTS NO.	DESCRIPTION
1	735017308	HANDLE
2	740624001	HANDLE SHAFT
3	000002105	SNAP RING E-3
4	740010008	HANDLE SUPPORTER
5	000081005	SETSCREW 4X8
6	740602209	BOBBIN WINDER BASE PLATE (UNIT)
7	735501005	BOBBIN WINDER ARM
8	740003101	BOBBIN WINDER BASE PLATE
9	740042009	BOBBIN WINDER ARM SPRING
10	000002806	SNAP RING E-6
11	740606100	ZIGZAG MECHANISM (UNIT)
12	737011009	INDEX SPRING
13	000103808	SETSCREW 3X5
14	743015002	DIAL
15	743161004	PATTERN INDICATOR PLATE
16	743160003	STITCH LENGTH INDICATOR PLATE
17	736604105	FEED REGULATOR (UNIT)
18	735074004	SS ADJUSTING SCREW
19	735076006	SS ROD BLOCK
20	000160102	ADJUSTABLE LOCK NUT 4
21	648010009	SETSCREW
22	739020007	FEED REGULATING ROD
23	735077007	FEED REGULATING BODY SPRING
24	735073003	PLAIN WASHER
25	000013800	SNAP RING CS-6
26	745052007	REVERSE LINK
27	000071013	WASHER 4
28	670100006	FEED REGULATOR SPRING
29	000172602	SETSCREW 5X8
30	743014001	R BUTTON
31	000014007	SNAP RING CS-4
32	736015000	R BUTTON SHAFT
33	739063002	R BUTTON SPRING

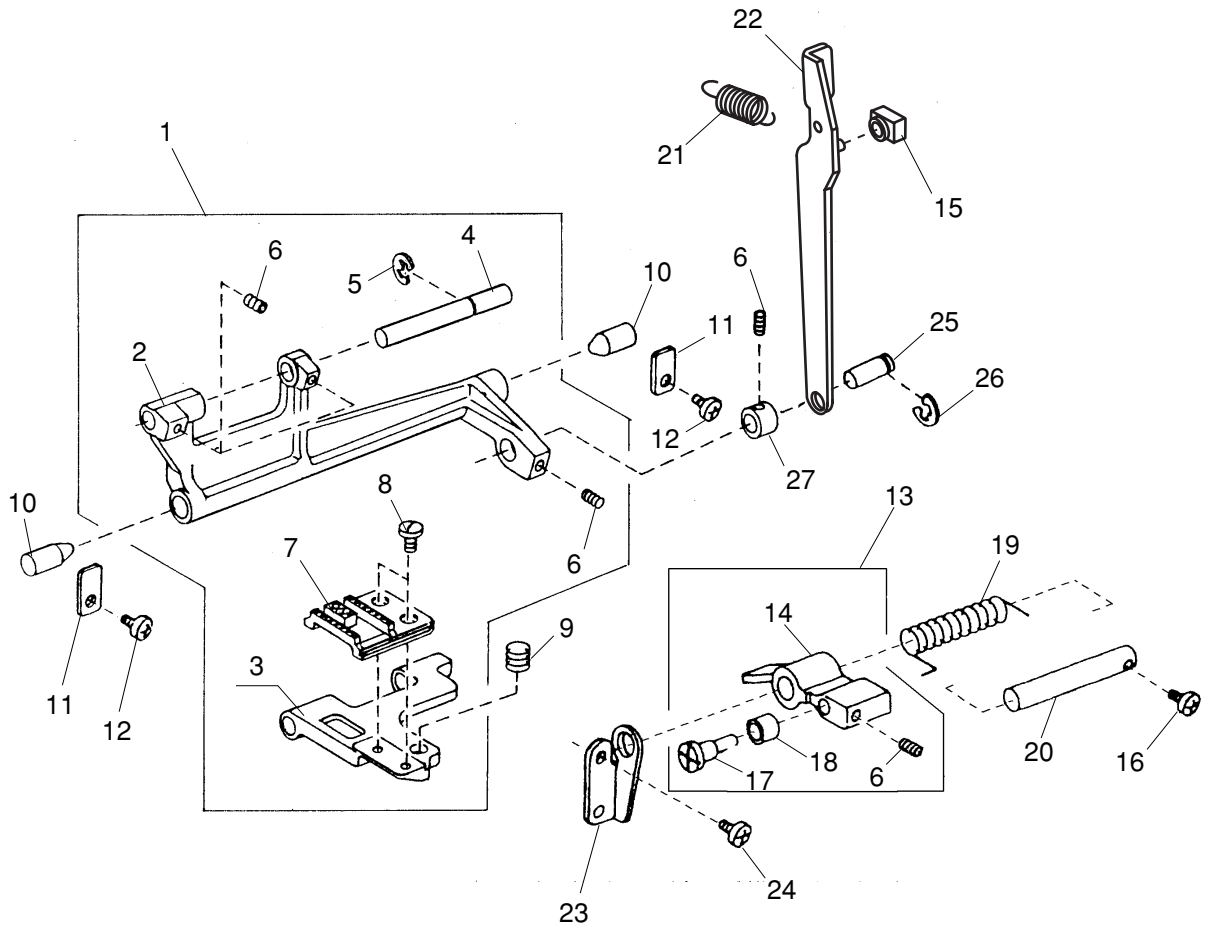
PARTS LIST



PARTS LIST

KEY NO.	PARTS NO.	DESCRIPTION
1	744004001	NEEDLE PLATE
2	681009101	SETSCREW
3	735950003	LOWER SHAFT GEAR
4	000111304	HEXAGONAL SOCKET SCREW 5X5
5	000110107	HEXAGONAL SOCKET SCREW 5X5WP
6	000036201	WASHER 8-0.5
7	735233003	BUSHING
8	735061008	FEED LIFTING CAM
9	735236006	LOWER SHAFT
10	102261000	BOBBIN
11	822070003	FELT
12	735234004	BUSHING
13	639036003	LOWER SHAFT CRANK ARM
14	735610101	SHUTTLE RACE BODY (UNIT)
15	605065006	SHUTTLE RACE RING CLASP (RIGHT)
16	605066007	SHUTTLE RACE RING CLASP (LEFT)
17	639108007	SHUTTLE RACE RING CLASP SPRING
18	673290003	HINGE SCREW
19	553168006	SHUTTLE RACE RING
20	601801000	SHUTTLE RACE SPRING
21	102100000	SETSCREW
22	670286007	SHUTTLE DRIVER SPRING
23	102202003	PLAIN SCREW
24	553245008	HEXAGONAL SOCKET SCREW
25	532096007	SHUTTLE HOOK
26	647515006	BOBBIN CASE (UNIT)
27	639037004	PIN
28	000001609	SNAP RING E-5

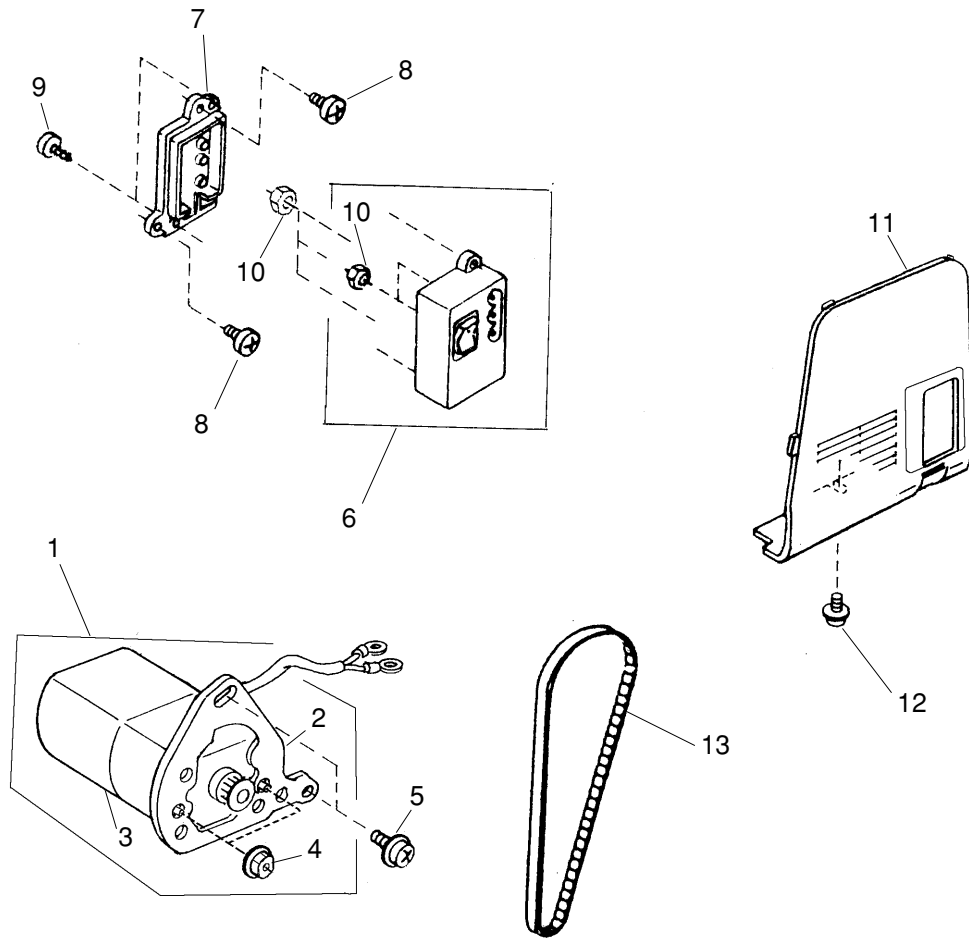
PARTS LIST



PARTS LIST

KEY NO.	PARTS NO.	DESCRIPTION
1	735612000	FEED ROCK SHAFT (UNIT)
2	735078008	FEED ROCK SHAFT
3	735079009	FEED BAR
4	735080003	FEED BAR SHAFT
5	000002507	SNAP RING E-4
6	000111201	HEXAGONAL SOCKET SCREW 4X4
7	735081004	FEED DOG
8	735082005	SETSCREW
9	735083006	FEED BAR SPRING
10	735084007	FEED ROCK SHAFT CENTER
11	735085008	FEED ROCK SHAFT CENTER PLATE
12	000101404	SETSCREW 4X6
13	301608006	FEED LIFTING ARM (UNIT)
14	301027005	FEED LIFTING ARM
15	102141003	FEED REGULATOR SLIDE BLOCK
16	000097200	SETSCREW 4X12
17	735087000	FEED LIFTING PIN
18	735088001	FEED LIFTING ROLLER
19	735089002	FEED LIFTING SPRING
20	735090006	FEED LIFTING SHAFT
21	743013000	FEED ROD SPRING
22	743012009	FEED ROD
23	739022009	FEED LIFTING SHAFT HOLDER
24	000081119	SETSCREW 4X6
25	735071001	FEED ROCK SHAFT CONNECTING PIN
26	000002806	SNAP RING E-6
27	735276008	RING

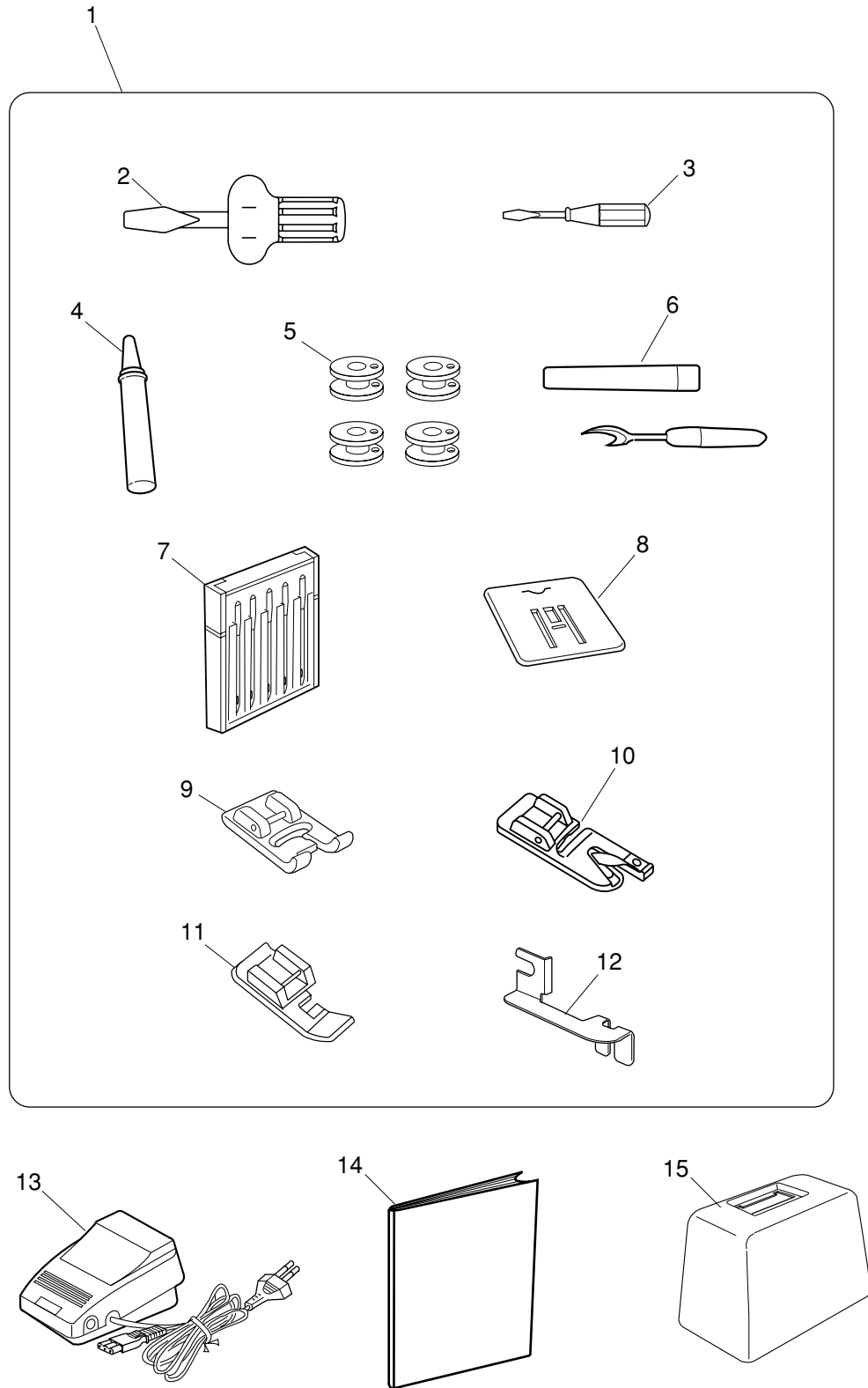
PARTS LIST



PARTS LIST

KEY	PARTS	
NO.	NO.	DESCRIPTION
1	743611107	MOTOR ASSY
2	743025005	MOTOR BRACKET
3	024070304	MOTOR
4	000050119	NUT
5	000201209	SETSCREW 5X12
6	739503308	MACHINE SOCKET UNIT
7	739037007	MACHINE SOCKET COVER
8	000103509	SETSCREW 4X10
9	000107802	SETSCREW 3X10
10	000060802	NUT
11	743017004	BELT COVER
12	000115205	SETSCREW 4X6
13	650166008	MOTOR TIMING BELT

PARTS LIST



PARTS LIST

KEY	PARTS	
NO.	NO.	DESCRIPTION
1	743870209	ACCESSORY SET
2	820832005	LARGE SCREW DRIVER
3	647803004	SMALL SCREW DRIVER
4	741814003	OIL
5	102261000	BOBBIN
6	647808009	BUTTONHOLE OPENER
7	540401026	NEEDLE SET
8	735801008	DARNING PLATE
9	737801015	BUTTONHOLE FOOT
10	743815000	HEMMER FOOT
11	611406002	ZIPPER FOOT
12	674401002	HEM GUIDE
13	042870308	FOOT CONTROL
14	743801140	INSTRUCTION BOOK
15	475705006	HARD COVER